



MES Series : Current Transformer

Application : Elzen transformer for the moded current transformer ,shell with flame retardant plastic ;in stallation can be fixed and backplane bus bar fixed installation

Operating temperature : -25C - +55C

Storage temperature : -35C - +70C

Technical Parameter

primary current : 5-3000A


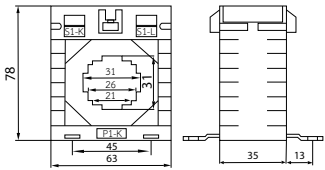

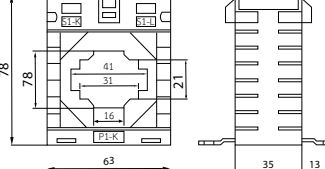

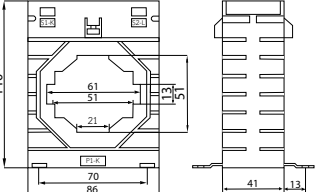

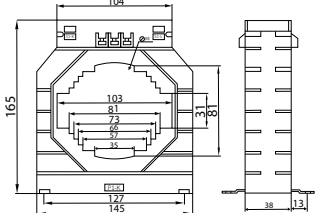

Secondary current : 5 A

Highest voltage : 0.72 kv

Rate frequency : 50/60 Hz

Power Frequency withstand voltage : 3 kv

Rate load : 1.5-15Va

Current Transformers Part No.	Description	Rate	Dimention
MES-62/30	 <p>CT Calss 0.5, 1.5VA CT Calss 0.5, 2.5VA CT Calss 0.5, 5VA</p>	<p>100/5 A 150/5 A 200/5 A</p>	
MES-62/40	 <p>CT Calss 0.5, 2.5VA CT Calss 0.5, 3.75VA</p>	<p>250/5 A 300/5 A</p>	
MES-86/60	 <p>CT Calss 0.5, 5VA CT Calss 0.5, 5VA CT Calss 0.5, 5VA CT Calss 0.5, 10VA</p>	<p>400/5 A 500/5 A 600/5 A 800/5 A</p>	
MES-140/100	 <p>CT Calss 0.5, 15V CT Calss 0.5, 15V CT Calss 0.5, 15V CT Calss 0.5, 15V CT Calss 0.5, 15V</p>	<p>1000/5 A 1200/5 A 1500/5 A 2000/5 A 2500/5 A</p>	
RCT-110	 <p>CT Calss 0.5, 15V CT Calss 0.5, 15V</p>	<p>3000/5 A 4000/5 A</p>	