

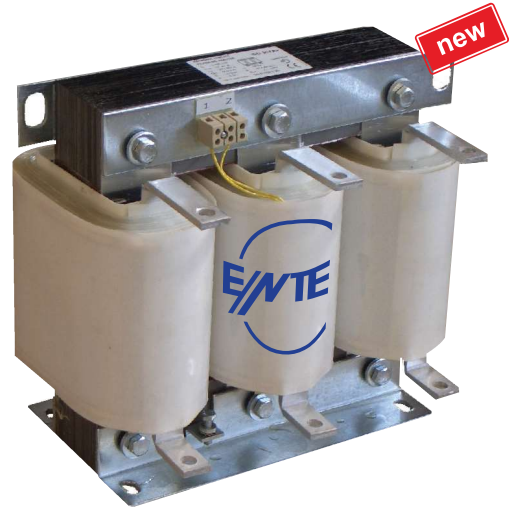
VALUES TO BE SPECIFIED FOR CUSTOM DETUNED FILTER REACTORS

- Utility Voltage.
- Resonance Frequency.
- Information on the available capacitors.

ENTES Detuned filter reactors are high quality reactors designed to be used in detuned power factor correction units. These reactors are compatible with european standards and are CE marked.



ENT.H-7% Series



400V 50Hz Utility Voltage, 189Hz Resonance Frequency (p=7%)

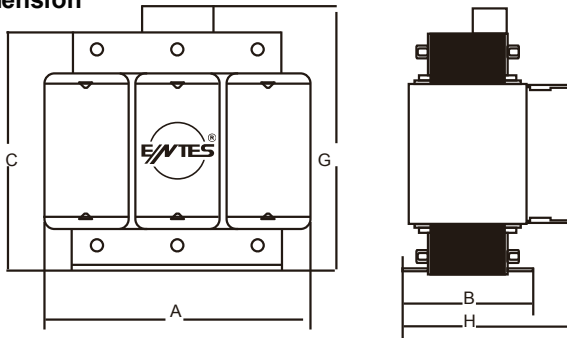


TYPE	L (mH)	I _{rms} (A)	I _{th} (A)	I _{lin} (A)	C* (μF)	Size	Weight (Kg)	ราคา
ENT.H-7-400-25	1.53	40.17	44.18	83.88	157.19	7	17.5	28,000.-
ENT.H-7-400-50	0.77	80.33	88.37	167.76	314.38	10	21	33,000.-

Note : Detuned Filter Reactor co-operation work with **Capacitor 525 VAC**

User Level		Equipments for Installation		
Qn at 400 VAC	Qn at 525 VAC	Detuned Filter Reactor	Contactors	Power Factor Controller
25 kVAR	40 kVAR (20x2)	ENT.H-7-400-25	ENT-KT-25-C11	RG3-12C/CS/CS-T (recommended)
50 kVAR	80 kVAR (20x4)	ENT.H-7-400-50	ENT-KT-60-C12	RG3-12C/CS/CS-T (recommended)

Dimension



SIZE	A	B	C	G	H
7	240	130	200	-	230
10	265	152	220	-	252

Special Note

Other Size Detuned Filter Reactor 5.67% , 7% , 14% (Start up 6.25 kVAR - 100 kVAR)

Call Price.-



Application : industrial Case Study

- 12 Steps 50 kVAR 400 VAC with 7% ENTES Detuned Filter Reactor

