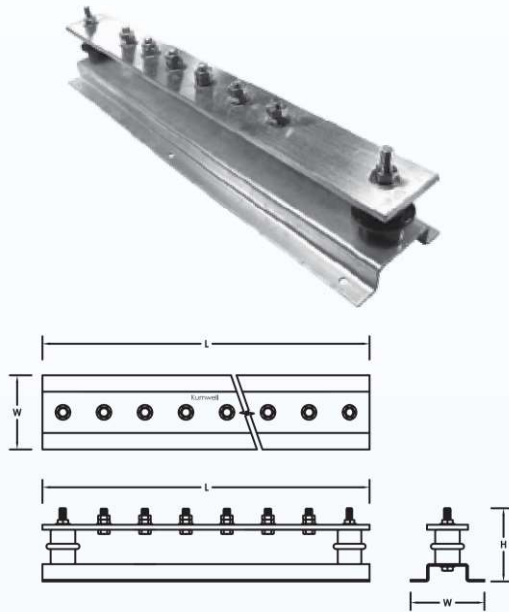


Ground Bar



Without Disconnecting Link

| Code No. | No. of Terminals | Dimensions (mm) | | | Weight (kg) |
|----------|------------------|-----------------|----|----|-------------|
| | | L | W | H | |
| GBDL 40 | 4 | 300 | 90 | 90 | 1.50 |
| GBDL 60 | 6 | 400 | 90 | 90 | 1.80 |
| GBDL 80 | 8 | 500 | 90 | 90 | 2.20 |
| GBDL 100 | 10 | 650 | 90 | 90 | 2.80 |
| GBDL 120 | 12 | 750 | 90 | 90 | 3.20 |
| GBDL 140 | 14 | 850 | 90 | 90 | 3.60 |
| GBDL 160 | 16 | 950 | 90 | 90 | 4.00 |
| GBDL 180 | 18 | 1050 | 90 | 90 | 4.40 |
| GBDL 200 | 20 | 1200 | 90 | 90 | 5.00 |
| GBDL 220 | 22 | 1300 | 90 | 90 | 5.40 |
| GBDL 240 | 24 | 1400 | 90 | 90 | 5.80 |
| GBDL 260 | 26 | 1500 | 90 | 90 | 6.20 |
| GBDL 280 | 28 | 1600 | 90 | 90 | 6.90 |
| GBDL 300 | 30 | 1700 | 90 | 90 | 7.30 |

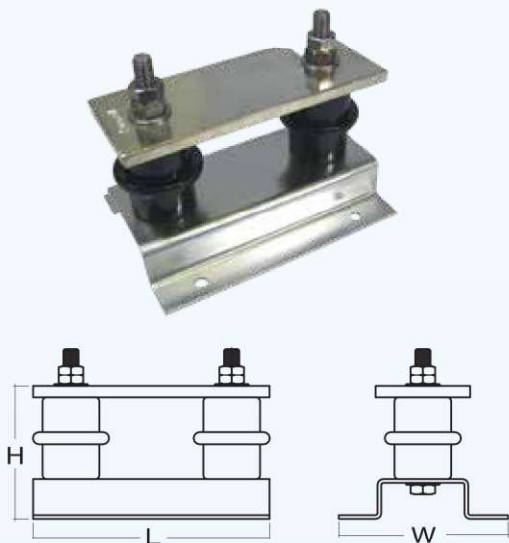
Tested : IEC 62561 - 1

Application : Suitable for bonding and testing point in grounding system. All the above products consist of 50x6 mm copper bar. Fix using wood screws 1 1/2" x no.10

Material : Busbar - Tin Plated Copper - BS EN 13601
Support - Zinc Plated Steel with Insulator
Bolt M8 - Stainless Steel

Special Length can be requested

Disconnecting Link



| Code No. | Dimensions (mm) | | | Weight (kg) |
|----------|-----------------|----|----|-------------|
| | L | W | H | |
| GBDL 253 | 125 | 90 | 90 | 0.74 |

Tested : IEC 62561 - 1

Application : Suitable for bonding and testing point in grounding system. All the above products consist of 50x6 mm copper bar. Fix using wood screws 1 1/2" x no. 10 and wall plugs.

Material : Tin Plated Copper Bar - BS EN 13601
Support - Zinc Plated Steel with Insulator
STUD M8 - Stainless Steel